

TABLE OF CONTENTS

<i>INFORMATION TO THE USER</i> -----	2
<i>BEFORE YOU START</i> -----	3
<i>GETTING TO KNOW YOUR PSX26</i> -----	4
<i>BLUETOOTH OPERATION</i> -----	5
<i>BLUETOOTH OPERATION</i> -----	6
<i>STREAMING MUSIC</i> -----	7
<i>AUX INPUT</i> -----	8
<i>USB INPUT</i> -----	9
<i>REMOTE CONTROL</i> -----	10
<i>INSTALLATION</i> -----	11
<i>TROUBLESHOOTING</i> -----	12
<i>WIRE DIAGRAM</i> -----	13
<i>SPECIFICATIONS</i> -----	13

SUPPORT

For the latest information about this product please visit www.planetaudio.com

TECH SUPPORT:805-751-4854
www.planetaudio.com/customer-support

Thank you for purchasing this



PSX26 All-Terrain Sound System

Please read through these instructions carefully so you will know how to operate your model properly.

After you have finished reading the instructions, keep this document in a safe place for future reference.

THIS PACKAGE CONTAINS

1- PSX26 All-Terrain Speaker System



1- Mounting Kit



1- Power Accessory Extension Adaptor



1- Remote control



1- User Manual



1- Warranty Card



INFORMATION TO THE USER



The Bluetooth® word mark and logos are registered trademarks owned by Bluetooth SIG, Inc. and any use of such marks is under license. Other trademarks and trade names are those of their respective owners.

2



BEFORE YOU START

IMPORTANT SAFETY PRECAUTIONS

- Do not operate mobile equipment while driving a motorized vehicle - safe driving and safety consideration of others should always be your highest priority.
- In the event you should notice smoke, strange noises or odor from this product, or any other abnormal signs, immediately turn off the power and consult your dealer or the nearest authorized **Planet Audio** Service Center. Using this product in this condition may result in permanent damage to the system.
- Set your volume control at a low setting, then slowly increase the sound until you can hear it comfortably without distortion, or ear discomfort.
- **BE SURE TO OBSERVE THE FOLLOWING GUIDELINES:**
 - Do not turn up the volume so high that you can't hear what's around you.
 - Use caution or temporarily discontinue use in potentially hazardous situations.

INSTALLATION PRECAUTIONS

WARNING - Always consult a professional installer

- Professional installation recommended. Do not attempt to service this product by yourself.
- Servicing of this product by persons without professional training and experience in electronic equipment and motorized vehicle accessories may be dangerous and could expose you to the risk of electric shock, Injury or other hazards.
- Contact Planet Audio for any installation, service questions or requests.
- The PSX26 can be powered from a vehicles cigarette lighter / auxiliary power port, or hard wired directly to the battery through an optional relay / accessory switch
- When wiring directly to the vehicles battery, be sure to disconnect the batteries negative terminal wire before starting any wiring procedures, it is suggested that an optional fuse and fuse holder (not included) with minimum rating of 15 Amps be in line with the positive battery terminal
- The ground cable length should not exceed 18-inches (See wiring diagram)
- The PSX26 has a weather resistant design, it should not be submerged in or under water under any circumstances
- Use only the installation parts provided with the PSX26
- Wash with a mild soap or detergent and lukewarm water using a clean sponge or a soft cloth. Rinse well with clean water.

"Don'ts" - Very Important

- DON'T clean in hot sun or on very hot days.
- DON'T use abrasive or highly alkaline cleaners on the main body
- DON'T scrape the main body with razor blades, or other sharp instruments
- DON'T ever use, gasoline, acetone or carbon tetrachloride

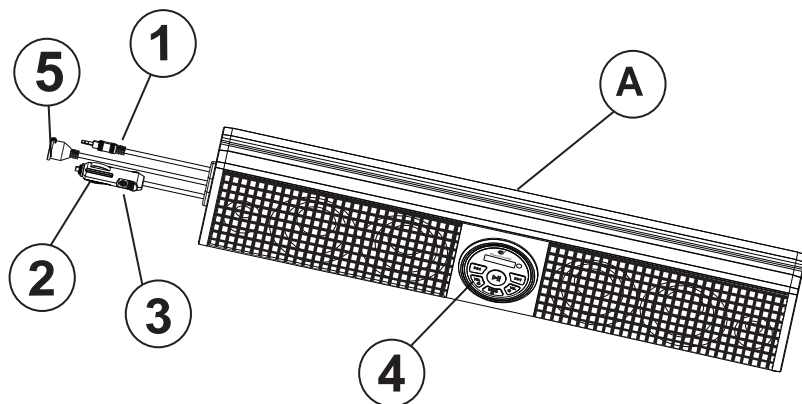


CAUTION!!

Using other mounting methods may void this warranty

GETTING TO KNOW YOUR PSX26

ENGLISH



A

Planet Audio PSX26

1

3.5mm AUX-INPUT

2

CIGARETTE POWER CABLE ADAPTOR

3

LED POWER INDICATOR

4

CONTROL PANEL

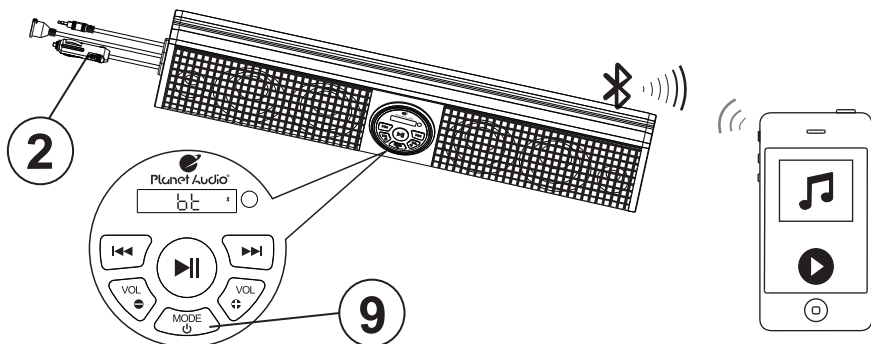
5

USB JACK

4

 Planet Audio®

BLUETOOTH OPERATION



PAIRING & DISCOVERING A NEW BLUETOOTH CONNECTION

- 1) Power on the **PSX26** by plugging in the male cigarette lighter adaptor into **(2)** a female cigarette lighter receptacle.
- 2) Press the button **(9)**. The **PSX26** will automatically go in to pairing mode:

ANDROID users:

- a. Go into the **Settings Menu** of your device
- b. Enter the **Bluetooth Menu**
- c. **TURN ON Bluetooth** and press **SCAN**
- d. "**Planet Audio PSX26**" will now be displayed under **AVAILABLE DEVICES**
- e. If prompted, enter passcode: "**0000**"

iOS users:

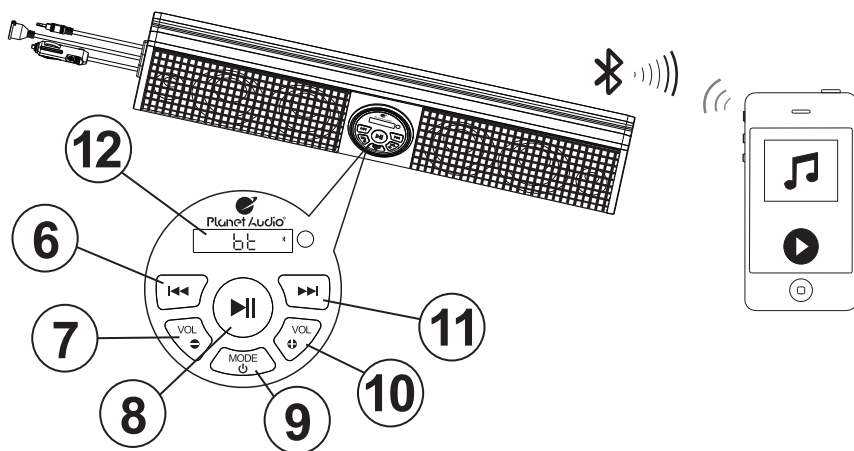
- a. Go into the **Settings Menu** of your **iOS** device
- b. Enter the **Bluetooth Menu**
- c. **TURN ON Bluetooth**
- d. "**Planet Audio PSX26**" will now be displayed
- e. If prompted, enter passcode: "**0000**"

NOTE: You have 2 minutes before you must restart this procedure over again.

- 3) If **Planet Audio PSX26** is not seen, repeat the above steps to refresh the "**Device List**"
- 4) When the connection is successful, you are now ready to stream music from your favorite media player to the **PSX26**

BLUETOOTH OPERATION

ENGLISH



RECONNECTION

- 1) Power on the **PSX26** and your last paired **Bluetooth device**.
- 2) Press the button (9). The unit will now automatically reconnect
- 3) If your device was previously paired with the **PSX26**, but it wasn't the last paired device:
 - a. Ensure no other **devices** are currently paired
 - b. Enter the **Bluetooth Menu** on your device being paired
 - c. "**Planet Audio PSX26**" will display under **AVAILABLE DEVICES**
 - d. Choose the "**Planet Audio PSX26**" to reconnect
- 4) If the device is out of range from the **PSX26**, it will disconnect automatically:
 - a. The **PSX26** will automatically reconnect to the device once back in range



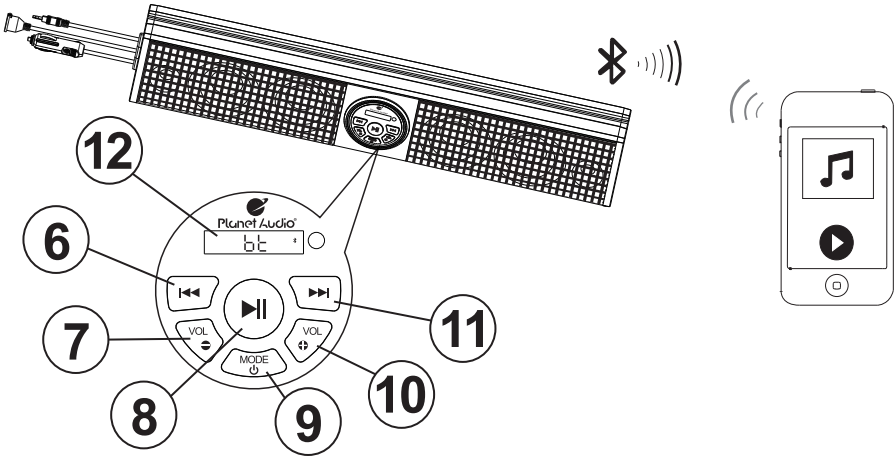
Tips:

To avoid battery exhaustion, be sure to occasionally run the vehicles engine while using this product.
Using this product without running the engine can drain the battery.

6

Planet Audio®

STREAMING MUSIC



MULTIFUNCTION CONTROLLER BLUETOOTH OPERATION

- 1) Press the **(8) PLAY/PAUSE** once to start playing music or press the **PLAY** button from your devices touchscreen
- 2) To skip songs or advance, press the **(11) NEXT TRACK** button
- 3) To select the previous song, press the **(6) PREVIOUS TRACK** button

VOLUME CONTROL

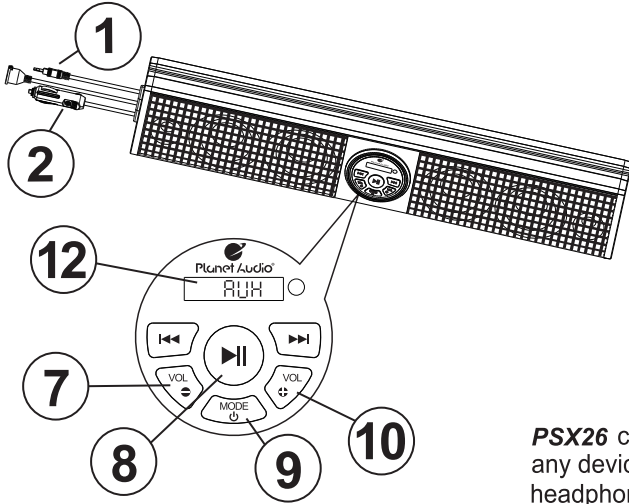
- 1) To raise the volume press the **(10) VOLUME UP** button or use your devices controls
- 2) To lower the volume press the **(7) VOLUME DOWN** button or use your devices controls



Tips:

For maximum audio performance, ensure your device Bluetooth volume is set to a minimum 75% level before stowing

AUX INPUT



PSX26 can play audio from any device that has a 3.5mm headphone audio jack.

AUX-IN OPERATION

- 1) Power on the **PSX26** by plugging in the male cigarette lighter adaptor into (2) a female cigarette lighter receptacle.
- 2) Press the button (9). Select **AUX** mode:
- 3) Connect the integrated 3.5mm **AUX-IN** cable (1) to your devices headphone jack
- 4) Route the wire back to **PSX26**, and secure your device

VOLUME CONTROL

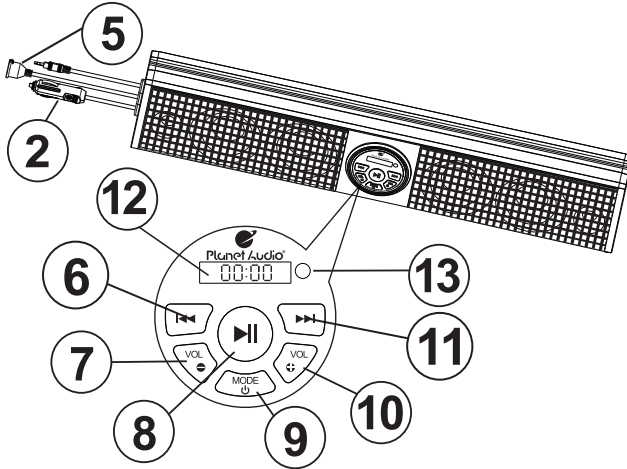
- 1) To raise the volume press the (10) **VOLUME UP** button or use your devices controls
- 2) To lower the volume press the (7) **VOLUME DOWN** button or use your devices controls



Tips:

For maximum audio performance, ensure your device headphone volume is set to a minimum 75% level before stowing

USB INPUT



USB IN OPERATION

- 1) Power on the **PSX26** by plugging in the male cigarette lighter adaptor into (2) a female cigarette lighter receptacle.
- 2) Insert the USB Flash drive on (5) and play the music automatically.
- 3) Press the (8) **PLAY/PAUSE** once to start playing music or pause
- 4) To skip songs or advance, press the (11) **NEXT TRACK** button
- 5) To select the previous song, press the (6) **PREVIOUS TRACK** button
- 6) To raise the volume press the (10) **VOLUME UP** button or use your devices controls
- 7) To lower the volume press the (7) **VOLUME DOWN** button or use your devices controls

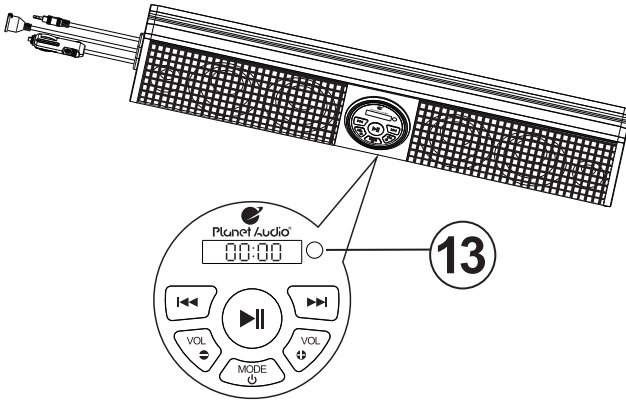


Tips:

USB can play music formats MP3 and WMA.
USB can provide 1A current.

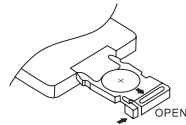
REMOTE CONTROL

ENGLISH



REMOTE CONTROL OPERATION

1) Remote control receiver window (13)



REPLACEMENT BATTERY - CR2025

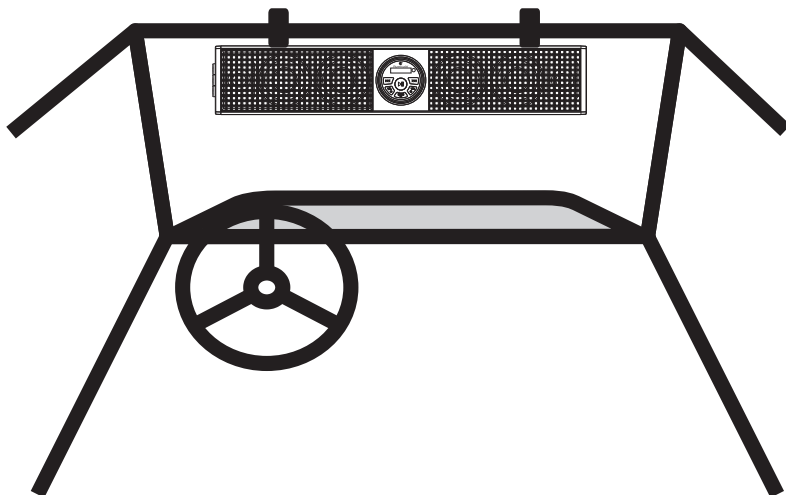
10

Planet Audio®

INSTALLATION

1) use the supplied adjustable bracket to secure to rails.

2) always recheck bracket before every ride



TROUBLESHOOTING

ENGLISH

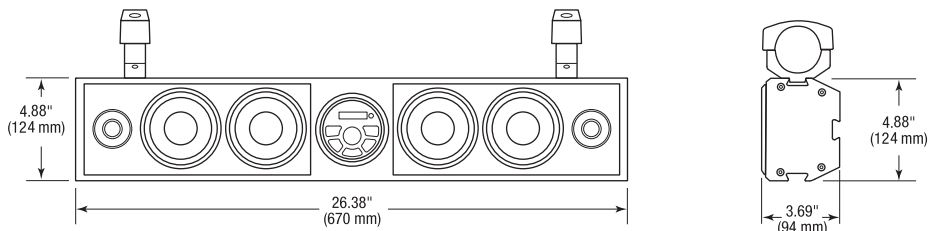
TROUBLE	CAUSE	SOLUTION
Unit will not turn on	The fuse is blown	Check / replace the fuse
	Main acc switch not engaged	Turn switch to on position
No sound is heard	Device volume is low / muted	Turn the volume level up
	Device is paused or muted	Check your devices playing / volume status
Cannot pair Bluetooth	The Bluetooth function of the device is not enabled	Refer to the user manual of the device for how to enable the Bluetooth function
The audio quality is poor after connection with a Bluetooth enabled device	The Bluetooth reception is poor	Move the device closer to the audio system or remove any obstacle between the device
Unit has become unresponsive	Power glitch or interference	Disconnect power for 10 seconds to reset

SUPPORT

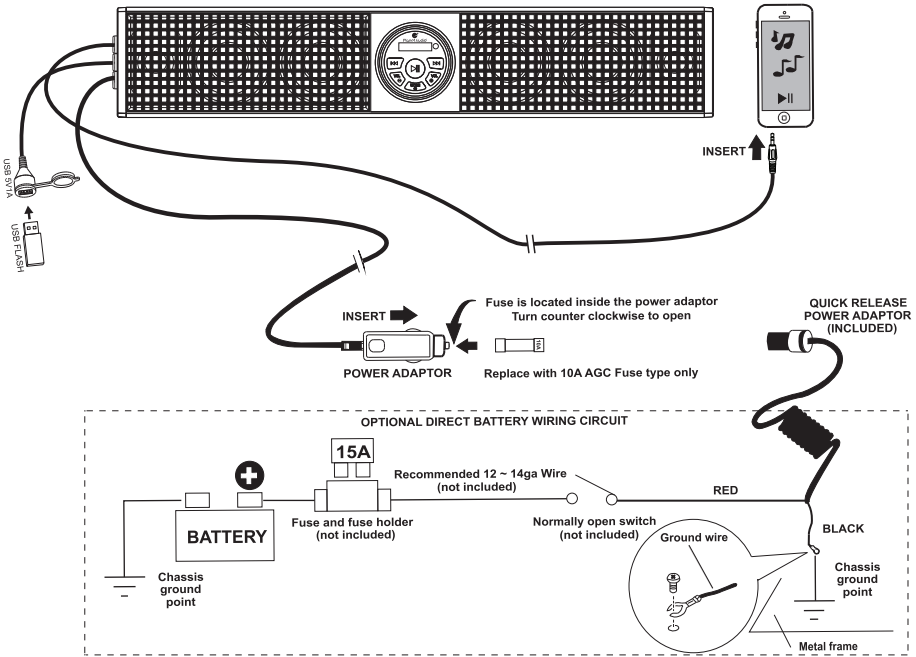
For the latest information about this product please visit www.planetaudio.com

TECH SUPPORT:805-751-4854
www.planetaudio.com/customer-support

DIMENSIONS



WIRE DIAGRAM



SPECIFICATIONS

BLUETOOTH

- Version: 5.0 / EDR
- A2DP
- Range: 33ft (10m)

SPEAKERS

- Dimensions: (4) 4" / 101.6mm
- Tweeter Size: (2) 1" Soft Dome

AMPLIFIER

- Class A/B
- Input impedance: 10k
- Frequency Response: 45Hz-22kHz

GENERAL

- Operational Power: 12VDC (10-16V allowable)
- MAX Current Draw: 8A
- Replacement Fuse: 10A AGC TYPE
- Color: Black
- Weight: 13.2lbs / 6Kg
- Dimensions mm WxHxD: 670x124x94
- Dimensions Inches WxHxD: 26.38x4.88x3.69

SPECIFICATIONS SUBJECT TO CHANGE WITHOUT NOTICE