

USER'S MANUAL



Planet Audio®

P390UAB

BLUETOOTH®-ENABLED

IN-DASH, DETACHABLE FRONT PANEL
MP3-COMPATIBLE CD, AM/FM RECEIVER
USB, SD AND FRONT AUX INPUT



Planet Audio®

www.planetaudiousa.com

TELEPHONE
888.980.1236
805.988.0215

FAX
805.988.0275

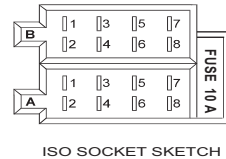
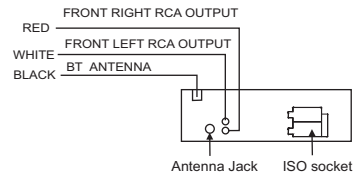
TECHNICAL SUPPORT
www.planetaudiousa.com/support

P390UAB 0113

all specifications subject to change without notice
© 2013 Planet Audio



WIRES CONNECTION



CONNECTOR A

- 1.
- 2.
- 3.
4. CONSTANT +12VDC
5. Auto Antenna B+
- 6.
7. ACC+12VDC
8. GROUND

CONNECTOR B

1. Rear Right Speaker (+)
2. Rear Right Speaker (-)
3. Front Right Speaker (+)
4. Front Right Speaker (-)
5. Front Left Speaker (+)
6. Front Left Speaker (-)
7. Rear Left Speaker (+)
8. Rear Left Speaker (-)

SPECIFICATION

GENERAL

Supply Voltage	DC 12 V. Negative Ground
Current Consumption	Max.10A
Power Output	4 X 60W
Number of channels	2 STEREO channels.
Unit Dimensions	178[W] X 165[D] X 50[H] mm 7 X 6.5 X 1.97 inch

FM SECTION

Frequency range	87.5MHz -108MHz (Eur) 87.5MHz - 107.9MHz (USA)
Effective sensitivity	3uV.
I.F Frequency	10.7MHz.

AM SECTION

Frequency range	522KHz - 1620KHz (Eur) 522KHz - 1710KHz (USA)
-----------------	--

Effective sensitivity	40dB.
I.F Frequency	450KHz

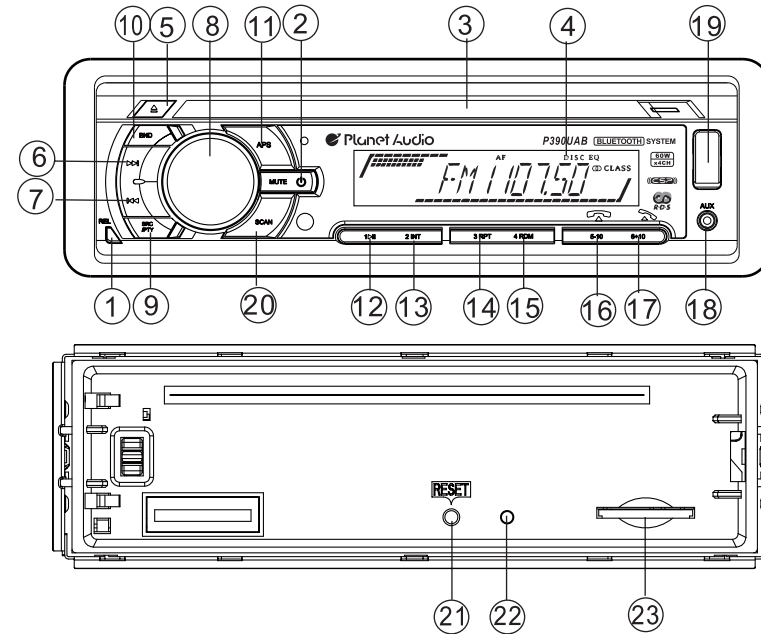
RCA LINE OUT

Output	1000mV @ CD MAX.
--------	------------------

CD PLAYER

System	MP3 Audio System.
Suitable CDs	MP3, CD,CD-R,CD-RW Disc
Frequency characteristics	20Hz-100Hz ≤ 5dB 10KHz-20KHz ≤ 5dB.
S/N Ratio to CD	50dB [1KHz]

LOCATION AND FUNCTION OF CONTROL



1. RELEASE BUTTON

Press the REL button to release the front control panel from the unit chassis, then pull it up a little to remove from the unit chassis.

2. POWER ON/OFF & MUTE

When the unit is power off, the unit comes to on by pressing any button except the EJECT and the RELEASE button.

When the unit is power on, press and hold the power button for more than 0.5 seconds, the unit goes into power off mode.

When the unit is power on, press the power to switch the MUTE state on/off.

3. CD SLOT

4. LCD Display

5. EJECT KEY

In the power on state, the loaded disc can be ejected by pressing the EJ key.

6&7. TUNE, SEEK, TRACK, SKIP UP / DOWN BUTTONS

a) During RADIO mode: Press and hold the >>| button to activate the MANUAL searching mode.

In **MANUAL mode**: Press the |<< or >>| button briefly to manual **TUNE UP/ DOWN** for the desired radio station frequency step by step.

In AUTO mode: Press the |<< or >>| button, to automatically **TUNE UP/DOWN** for the station frequency, (If in MANUAL mode and without further operation, the unit will change to AUTO mode a few seconds later.)

B) During disc, USB playback mode:

Press the >>| button briefly to play next track.

Press the |<< button briefly to play the current track from the beginning of it if the playing time is more than 2 seconds.

Press the |<< button briefly to play the previous track if the playing time is less than 2 seconds.

Press the >>| or |<< button and hold to skip forwards or backwards, release to resume normal playback.

8. SEL(MENU) BUTTON AND VOLUME UP (+) / DN (-) KNOB

a) Press the SEL button briefly, it is activated as selecting each mode of E. VOL.

-> VOLUME -> BASS -> TREBLE -> BALANCE -> FADER ->

When selecting a desired audio mode, rotate the VOL knob to adjust the audio effect.

In each mode, the waiting time is about 5 seconds, and the time waiting time is over, it returns to the last display mode of tuner or CD mode.

The control mode of E.VOL is operated with following numeric display.

- VOL: (MIN) 0,45(MAX).

- BASS/TRE: -12, -11,+11, +12

- BAL: 10L,10R

- FAD: 10R,10F

b) When pressed longer 2 seconds, it is activated as cyclical mode of following functions for user's selection.

-> INVOL

-> TA (ON/OFF)

-> DSP (Rotate the VOL knob to adjust the HOUR or MINUTE)

-> EQ ON/OFF

-> BEEP (ALL/OFF/2ND)

-> LOUD (ON/OFF)

-> TAVOL

-> LOC ON/OFF (only for FM mode)

-> EON ON/OFF

-> MONO/STEREO (only for FM mode)

-> REG ON/OFF

-> S....WF (ON/OFF)

-> AF (ON/OFF)

-> AREA (EUR/USA)

After selecting the desired mode, rotate the VOL knob to select one setup item of the desired mode.

1) TA [TRAFFIC ANNOUNCEMENT]

When TA mode is on (TA is displayed on LCD), it will begin to seek TA station and TA SEEK will be displayed on LCD for a while.

When traffic announcement is transmitted:

(1) If the unit is in USB or disc mode, it will switch to radio mode temporarily.

Temporarily switch over to an EON linked station when EON detects a traffic announcement on that other program, and TP will be displayed on LCD

(2) If volume level is below 20, volume level is raised to 20, and returns to its previous mode and volume level when the traffic announcement is over.

(3) If volume is adjusted during traffic announcement, only the traffic announcement volume is valid.

CARE FOR USING CD'S:

About CD-R/CD-R/W discs:

In addition to commercially-recorded audio CD's, this unit can play CD-R and CD-R/W discs. In some cases, particularly when recorded on older CD burners, some CD-R and CD-R/W discs may not play. Also, whenever you are recording a CD for playback in this receiver, it is recommended that you record at 24x or slower speed for CD-R and 4x or slower for CD-R/W to achieve higher signal quality and better playback performance.

1. To keep the disc clean:

Do not attach any sticker or adhesive tape on the disc.

Handle the disc by its edge to keep the disc clean and do not touch the surface.

Before playing a disc, wipe it off with a clean, dust-free cleaning cloth.

Wipe the disc outwards from the disc center.

2. When one has already been inserted. Doing so may damage the unit. Insert a disc with labeled surface up, or it will damage the unit.

3. Do not expose the disc to direct sunlight or nearby heat sources such as heating vents, caliduct which can cause the disc to warp.

Do not leave disc in a car if it is parked in direct sunlight as that will lead to a considerable rise in the temperature inside the car.

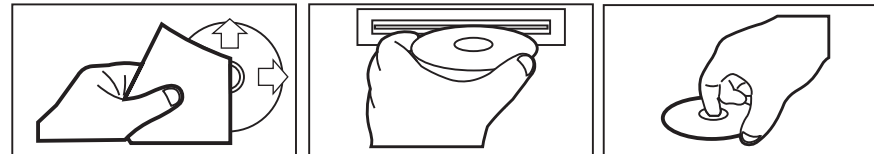
4. Do not use any secondhand or rented disc, usually, there is glue on the surface of those discs, it will stop the unit working and damage it.

5. Always store the disc in its case for protection. Scratched up discs will produce poor sound performance and cause CD player to skip.

6. In raining day or wet area, the moisture may form on the disc or the optical parts, the playback may not be possible. If moisture forms on the disc, wipe it off with a soft cloth.

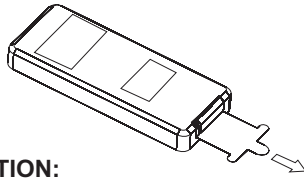
If moisture forms on the optical parts of the unit, allow the unit to sit for about one hour with power on.

7. Do not use solvents such as benzine or thinners. Commercially available cleaners or anti-static spray will damage the unit.



MAINTENANCE OF REMOTE CONTROL

An insulation tag was installed in your remote by the manufacturer to prevent the battery from draining. Removing the tag from the remote before using.



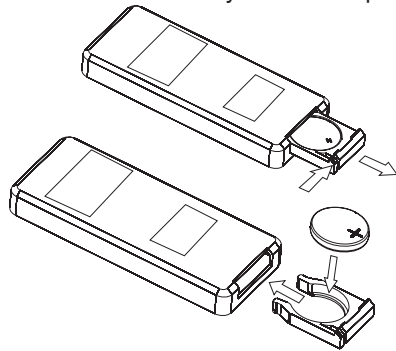
BATTERY INFORMATION:

Lithium Battery: CR2025 3V

Battery Life: Approximately 6 months.

Replacing the Battery from the Remote Controller:

- 1) Remove the battery holder by pressing the locking tab with your thumb and pulling it out.
- 2) Replace the battery with the same type and the "+" side facing up.
- 3) Gently push in the holder until securely locked into place.



WARNING:

- Do not recharge, disassemble or dispose of in fire.
- Battery leakage may cause damage to the unit.
- To avoid the risk of accident, keep batteries out of reach of children.

- * TA interruption function:
The current traffic announcement is cancelled by pressing this key. But the TA mode will not be off.
 - * When TA is on, SEEK, (SCAN), AUTO MEMORY function can be received or saved only when traffic program identification code has been received.
- 2) AF [ALTERNATIVE FREQUENCIES]
When AF switching mode is selected and the state of AF switching mode is displayed by AF segment in display.
Segment off: AF switching mode off.
Segment on: AF switching mode on, and has RDS information.
Segment flashing: AF switching mode on, but RDS information is not received yet.
When AF switching mode is selected, the radio checks the signal strength of AF all the time. The interval of checking time of each AFs depends on the signal strength of current station, from a few minute for strong station to a few seconds for weak station. Every time that new AF is stronger than current station, it switches over to that frequency for very short time, and NEW FREQUENCY is displayed for 1-2 seconds. Because the mute time of AF switching or checking time is very short, it is almost inaudible in case of normal program.
During FM mode, when AF is on, SEEK, (SCAN), AUTO-MEMORY function can only receive and save RDS program.
 - 3) DSP: When select the DSP, rotate the VOL knob to adjust the hour /minute. (Turning Left is for adjusting the minute and right is for adjusting the hour)
 - 4) BEEP ALL/ OFF/2ND
BEEP ALL: the beep is generated when every key is pressed (except the power button, REL key and EJECT key).
BEEP 2ND: the beep is only generated when an allotted double key is pressed long (1 second).
BEEP OFF: the beep sound is disabled.
 - 5) EON: In case of RDS mode, when the EON ON, the EON programs will be scan automatically, select EON OFF to stop the scan.
 - 6) LOUD: When the volume level is bellow half level, select LOUD ON mode to enhance bass sound. It is advised that LOUD ON mode not be select when the volume level is high.
 - 7) LOC: LOC ON mode improves reception in some areas where the signal is too strong. (Note: LOC function only for FM mode.)

8). STEREO/MONO

Select STEREO mode to improve the sound effect ,Select MONO mode to decrease noise and make the sound more clear when the station signal is weak.

9). INVOL: The radio switches to last volume setting when the unit switches off.

9. SRC AND PTY (PROGRAM TYPE) BUTTON

Press the SRC button to change among tuner (radio), disc (when a disc is loaded), USB (when an USB stick is inserted) and AUX mode.

<-->NEWS<-->AFFAIRS<-->INFO<-->SPORT<-->EDUCATE<-->DRAMA
<-->CULTURE <-->SCIENCE<--> VARIED<-->POP M<-->ROCK M
<-->EASY M<-->LIGHT M<--> CLASSICS<-->OTHER M<-->WEATHER
<-->FINANCE <-->CHILDREN<-->SOCIAL<-->RELIGION<-->PHONE IN
<-->TRAVEL<-->LEISURE<-->JAZZ<-->COUNTRY<-->NATION M
<-->OLDIES<-->FOLK M<-->DOCUMENT<-->TEST <-->ALARM

After selecting one of the PTY programs, press >>| or |<<,it will automatically search for the station of the PTY program. If the station of the PTY program does to exist, it will display PTY NONE and then return back to the previous radio.

10. BAND BUTTON

During radio mode:

Press this button briefly to select the radio broadcasting band you would like to hear. The AM/FM band is toggled cyclically through the tuning bands:
->FM 1-> FM 2 -> FM 3 -> MW 1->MW 2 ->

During MP3 file in disc, or USB mode:

Press this button to turn to display the time slider of current track played.

11. APS BUTTON

1) In RADIO mode:

Press this button briefly to display for 5 seconds the preset station on LCD. Press and hold this button to enter in APS mode, the radio searches from the current frequency and checks the signal strength level until 6 stations are found. And then the 6 stations frequencies are preset to the corresponding preset memory numbered bank. The auto-storage operation is implemented in the each selected band. When the auto-storage operation is finished, the radio executes the Preset Scan.

2) During MP3 file in disc, or USB/SD mode:

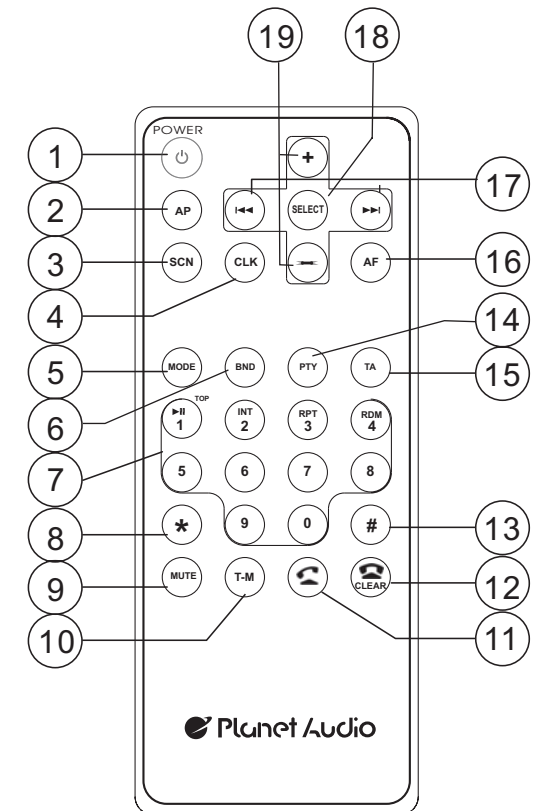
In SD, USB or MP3/WMA disc playback mode, press APS button, it is activated as cyclical selecting song mode as follows:

-> TRACK SERIAL NUMBER SEARCH
-> FIRST CHARACTER SEARCH
-> DIRECTORY SEARCH

A) In TRACK SERIAL NUMBER SEARCH mode, the LCD will display 001--- and flash the biggest digit 0 that the SD card, USB or MP3/WMA disc contains. Rotate the VOL knob to select the number of the flashing digit from 0 ~ 9. Then press SEL button to confirm and flash next smaller digit 0. With the same means, select the number of the flashing digit. After finishing inputting the number of all flashing digit, press BND button to play the track of the corresponding number.

DESCRIPTION OF BUTTONS ON REMOTE CONTROL

1. POWER button
2. AP button
3. SCN(SCAN) button
4. CLK button
5. MODE button
6. BND(BAND) button
7. Number(0~9) buttons
8. * button
9. MUTE button
10. T-M button
11. TEL button
12. CLEAR button
13. # button
14. PTY button
15. TA button
16. AF button
17. >>| and |<< buttons
18. SEL button
19. + and - buttons



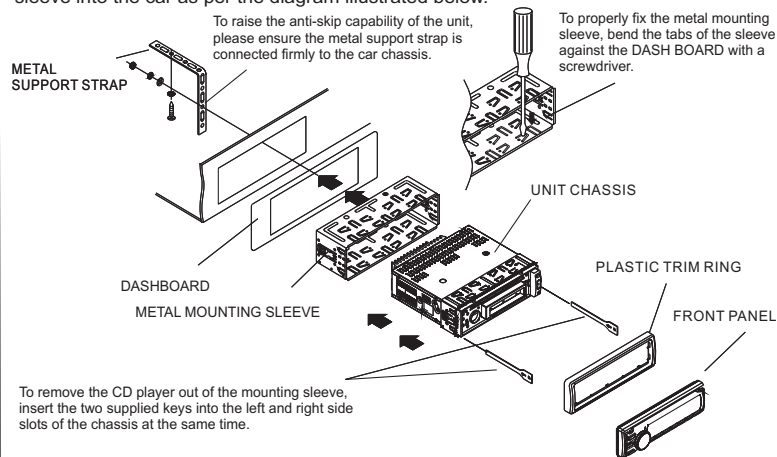
6. To transfer the audio of a file played by Mobile Phone to the Car Audio Player. If the mobile phone supports A2DP and could play audio or video files, when the Mobile Phone plays an audio (For some Mobile Phones, you must select Play by BT firstly), the playing will be transferred to the Car Audio Player.

In A2DP mode, the functions of the >>|, |<< and PLAY/PAUSE /MUTE buttons are the same as one in disc mode (no fast forward /backward functions for the >>|/|<< buttons). The other buttons available in disc mode are not available.

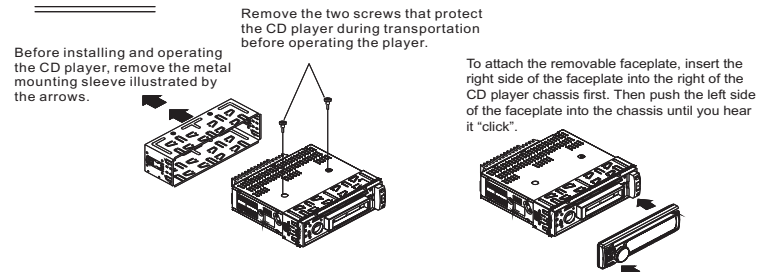
In A2DP mode, pressing the MODE button can switch on between the radio, disc, USB, CARD and A2DP. But after entered the A2DP mode again, it will resume play back after you press the PLAY/PAUSE button.

INSTALLATION METHOD

This is an anti-theft installation method. The main unit wears a METAL MOUNTING SLEEVE. Please connect the wiring, eg, the Power supply, the Speakers and the Antenna according to the requirements of this Instruction Manual, then install the metal mounting sleeve into the car as per the diagram illustrated below.



NOTE



B) In FIRST CHARACTER SEARCH mode, the LCD will display A**-- and flash the first character. Rotate the VOL knob to input character by the order of A~Z and 0~9. Press SEL button to confirm and flash the next character. With the same means, select the character of the flashing place. After finishing inputting all the 3 characters, press BND button and then matched files will be scrolling on the LCD by rotating the VOL knob. Finally press the BND button to play the track. If there is not any file matched, NO MATCH will be displayed and then it will return to the beginning of this track search mode for inputting again.

C) In DIRECTORY SEARCH mode, the LCD will display the root folder (if there is not the root folder, it will find a root folder named ROOT). Rotate the VOL knob to select your desired folder and press BND button to play the first track in the selected folder.

12-17. PRESET STATION MEMORY AND TOP/>||, INT, RPT, RDM BUTTONS

a) During radio mode

Go to any preset station by pressing one of the 6 preset station (1-6). If one of these buttons is pressed for more than 2 seconds, the stations currently being listened to will be memorized into the selected preset button.

b) During disc, SD or USB mode:

1) Press the TOP/ >|| button briefly to interrupt the playback of the disc, SD or USB.

Press again to resume normal playback of the disc, SD or USB.

Press the TOP/>|| button and hold for approximately 0.5 seconds to play the first track of the disc, SD or USB.

2) Press the INT button to play the first 10 seconds part of each track, and the INTRO will be visible on the LCD display. Press and hold the INT button to play the 10 first seconds of each track in desired folder, and D-INT indicator will be displayed on LCD. To disable the INTRO function, press again INT button and current track will be playing normally, and INT OFF indicator disappears from LCD.

3) Press RPT button once to play the current track repeatedly, and the RPT ONE indicator displays LCD.

During MP3/WMA disc, SD or USB mode, press and hold the RPT button to play the current folder repeatedly, and the D-RPT will be visible on the LCD display. In REPEAT mode, press RPT button again to disable the REPEAT function and RPT OFF displays on LCD.

4) Press the RDM button to play all tracks on disc in a random order, and RANDOM indicator displays on LCD.

In RDM mode, press RDM button again to stop playing in random order and the LCD will display RDM OFF. Press and hold the RDM button to play the current folder in random order, and the D-RDM will be visible on the LCD display.

5) Press the 5 and 6 button to move up and down 10 tracks at a time.

When the remaining total tracks are less than 10, both buttons are inactive.

Press and hold the 5 and 6 buttons to select next or previous folder to be played.

18.AUX INPUT JACK

Press the mode button to select auxiliary input playing mode. Then you can connect any matched external audio device to this socket. Use the volume knob to adjust volume.

19.USB SOCKET

In order to play the file in the USB stick, turn over the plastic cover cap then insert the USB stick into the USB socket. The system will change into the USB mode automatically, and then play the first file in the USB.

20.SCAN BUTTON

Press it to scan up by one channel step with station detection ,If a valid signal has detected ,the current frequency is blinked within 5 seconds ,then press it again to stop scan and remain the current frequency; otherwise ,the unit continue to scan up by one channel step with station detection 5 seconds later.

21. RESET BUTTON

Before operating the unit for the first time, or after replacing the car battery or changing the connections. You must reset the unit.

Press this button with a cuspidal object. This operation will erase the clock setting and some stored contents.

22.Flashing LED

When the front control panel is removed this indicator flashes.

23.SD CARD SLOT

When you need to play the file in the SD card ,insert the SD card into the SD card slot ,the system will change into the SD mode automatically, and then play the first file in the SD.

Note:When SD card and USB stick are both inserted into their slot or socket , the system will change into the playback mode of the latter one.

Bluetooth Hands-Free System:

1. Pairing and Connection

- 1) Turn on the Bluetooth mode of the mobile phone;
- 2) Select the item of Finding the Bluetooth Device and enter it. After finishing the finding, it will show the name of the Bluetooth Device available. Select it and switch to the interface for password, Input the password 0000 and enter it. Then it will show pair OK..
- 3) For some mobile phones, they can automatically connect with the BT device of the car audio system and after pairing is ok; for some mobile phones, they need to select the paired BT device and press the CONNECTION button. When connection is OK, the LCD of the car audio system will show CONNECT.

2. Use the mobile phone to do connection or disconnection

- A) Use the mobile phone to do connection or disconnection
 - 1) In the connection status, find the paired and connected Bluetooth Device, then press the disconnection button to do disconnection.
 - 2) In the disconnection status, find the paired and disconnected Bluetooth Device, then press the connection button to do connection.
- B) When turn on the power again (after Acc off), the front panel can search the phone have pair automatically and be connection. And it will take you about 10-15 seconds.

Note:

In the connection status: Mobile phone transfers to the car audio whenever a dialling takes place; Mobile phone transfers to the car audio whenever receiving a call.

3. Dialling when in connection status

- A) Dial with the mobile phone directly.
 - B) Press the TEL button on the remote control, then input the phone number, press the TEL button again to execute the dialling.
- Notes: The talking time will appear on LCD if dialling is successful and it is received.

4. Accept/ End Call

- A) During ringing, press TEL button to accept the call
- D) During talking, press HAND UP button to end the call.

5. Talking volume level setting

At talking status, use the VOL knob to adjust the sound output, but this volume level can't be reserved.